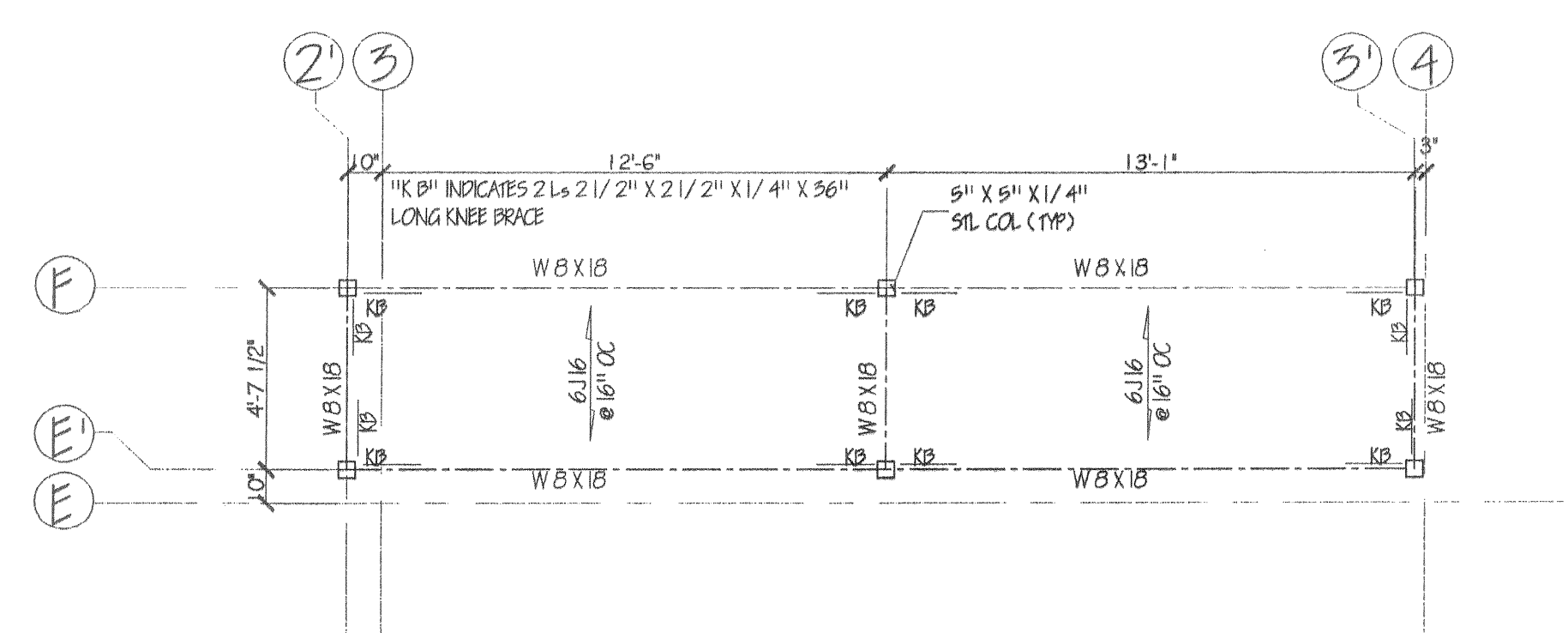


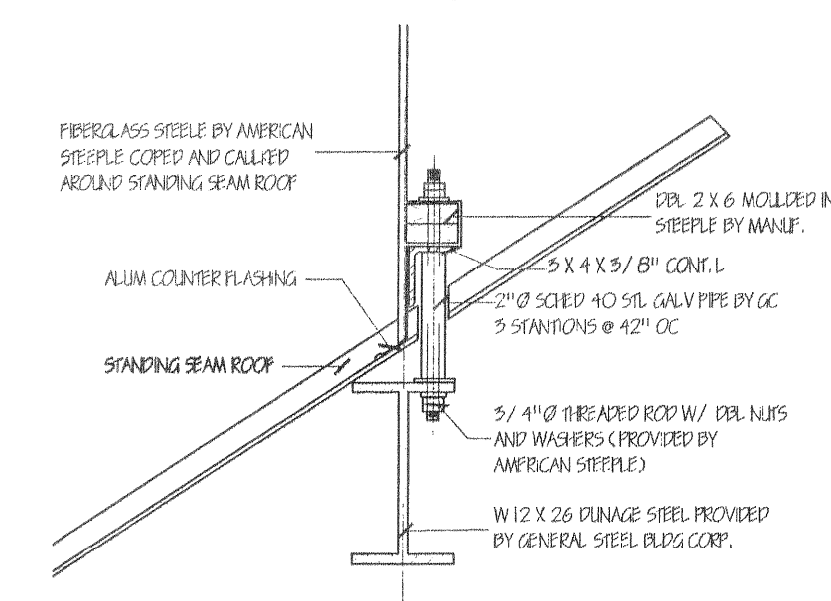
FOUNDATION & FRAMING PLAN

1/8" = 1'-0"



STAIR ROOF FRAMING

1/4" = 1'-0"



STEEL CONNECTION

1" = 1'-0"

- FOUNDATION:**
1. ALL FOOTINGS TO REST ON UNIMPROVED SOIL OF 1 TON/SF BEARING CAPACITY. LEVEL OF ACCEPTABLE BEARING STRATA IS TO BE FIELD VERIFIED.
  2. KEEP FOOTING BOTTOMS WELL FINISHED UNTIL FOOTINGS ARE IN PLACE. PUMP AS REQUIRED.
  3. CONSTRUCTION JOINTS IN FOUNDATION WALLS SHALL BE NO MORE THAN 60" AWAY AND NO LESS THAN 48" FROM ANY OTHER JOINTS. JOINTS SHALL BE CONTINUED THROUGH THE CONSTRUCTION JOINTS. DO NOT USE HORIZONTAL CONSTRUCTION JOINTS.
  4. SLABS ON GRADE SHALL BE PLACED BY STEEL PLACING METHOD (MAX. WIDTH 20' X INFERIOR LENGTH) WITH CONTROL JOINTS (SMAW CUT) AT MAX. 20' O.C. CONSTRUCTION JOINTS SHALL BE LOCATED ALONG LENGTH OF PLACEMENT AND AT ENDS OF PLACEMENT.
- CONCRETE:**
1. ALL CONCRETE WORK SHALL CONFORM TO AC 308-96. INTERIOR CONCRETE SHALL BE 3000 PSI STRENGTH CONCRETE. ALL EXTERIOR CONCRETE WORK SHALL BE 4000 PSI AND REINFORCED.
  2. ALL REINFORCEMENT SHALL BE DEFORMED TYPE REINFORCEMENT. PROVIDE NEW BULLET STEEL CONFORMING TO ASTM A-615 GRADE 60 UNLESS NOTED OTHERWISE.
  3. TEMPERATURE REINFORCEMENT, SPLICES, SUPPORTS FOR SHALL CONFORM TO REQUIREMENTS OF AC 308 (99) AND AC 308-92.
  4. CONTINUOUS REINFORCEMENT SHALL BE LAPPED 48 DIAMETERS AT STILES AND CORNERS AND LAPPED AT NON-CORNERED ENDS OR EXTENDED 24 DIAMETERS UNLESS NOTED OTHERWISE. DETAILING OF ALL REINFORCING SHALL BE IN ACCORDANCE WITH AC 308-92.
  5. PROVIDE 2# #6 BARS ALL SITES FOR OPENINGS IN CONCRETE WALLS UNLESS NOTED OTHERWISE. EXTEND BARS 24" BEYOND OPENING AND HOOK ENDS.
  6. PROVIDE SLEEVES AND BOX OUT OPENINGS FOR MECHANICAL SERVICES. OPENINGS SHALL BE PLACED SO AS NOT TO AFFECT THE STRENGTH OF MEMBER.
  7. FIBER MESH REINFORCING SHALL BE PROVIDED AND ENCASED IN ALL CONCRETE SLABS ON STEEL DECK AT A RATE OF 1.5 PLY IN ACCORDANCE WITH MANUF. REQUIREMENTS.

- STRUCTURAL STEEL:**
1. STRUCTURAL STEEL SHALL BE FABRICATED AND DELIVERED IN ACCORDANCE WITH AISC SPECIFICATIONS FOR DESIGN, FABRICATION AND ERECTION OF STRUCTURAL STEEL BUILDINGS.
  2. ROLLED SHAPES AND PLATES SHALL CONFORM TO AISC DESIGNATION APP2/AISC 250 UNLESS NOTED OTHERWISE. STEEL PIPE SHALL CONFORM TO AISC STRUCTURAL TUBING SHALL CONFORM TO AISC A500 GRADE B.
  3. SHOP CONNECTIONS SHALL BE WELDED. FIELD CONNECTIONS SHALL BE 5/4" AISC A-525 TYPE 'N' CONNECTION EXCEPT WHERE FELD WELDING IS CALLED FOR ON PLANS.
  4. WELDING SHALL COMPLY WITH AISC SPECIFICATIONS FOR STRUCTURAL STEEL CONNECTIONS.
  5. ALL STEEL SHALL RECEIVE ONE SHOP COAT OF ZINC RICH PRIMER PAINT.
  6. PROVIDE ANGLE ANCHORS AT ENDS OF ALL BEAMS RESTING ON MASONRY OR CONCRETE.
  7. CONNECTIONS TO BE DOUBLE ANGLE CONNECTIONS UNLESS NOTED.
  8. ALL BASE PLATES SHALL BE ANCHORED WITH 2# 5/8" X 12" LONG ANCHOR BOLTS UNLESS NOTED OTHERWISE.
  9. ALL LOOSE LENSELS SHALL HAVE A MINIMUM OF 6" BEARING AT EACH END OF B.L.G. PROVIDE FLASHING AT ALL EXTERIOR CORNERS. ALL WELD PLATE LENSELS SHALL HAVE A MIN. OF 10" BEARING EACH END OVER 10" MASONRY.
  10. PROVIDE ALL BOLTS, HOLES, ANCHORS, ANGLES, ETC. AS REQUIRED FOR A COMPLETE INSTALLATION AND AS REQUIRED BY WORK OF OTHER TRADES.
  11. PROVIDE MASONRY ANCHORS 92" O.C. ON ALL SPANSEL BEAMS AND 18" O.C. ON ALL COLUMNS.
- STEEL DECK:**
1. STEEL DECKS LESS THAN 22 GAUGE TO BE WELDED TO SUPPORTING MEMBERS WITH 1/4 GAUGE WELDING MEMBERS 6" O.C. WELD SEE LAPS & JOINTS OF SPAN MEMBERS.
- STEEL JOIST:**
1. ALL OPEN WEB STEEL JOISTS SHALL BE FABRICATED AND DELIVERED IN ACCORDANCE WITH SPECIFICATIONS OF THE STEEL JOIST MANUFACTURER.
  2. AT EACH JOIST PROVIDE 5 ROWS OF BRIDGING. BRIDGING SHALL BE DIAGONAL BRIDGING W/ FULL CONNECTIONS. END OF BRIDGING TO BE BOLTED TO MASONRY WALL.
- LIGHT GAUGE FRAMING:**
1. ALL LIGHT GAUGE FRAMING MEMBERS TO BE MANUFACTURED BY MERRILL INDUSTRIES OR APPROVED EQUIV.
  2. PROVIDE HORIZONTAL BRIDGING @ 45" O.C. VERTICALLY IN ALL LIGHT GAUGE SHIP WALLS IN ACCORDANCE W/ MANUFACTURER'S RECOMMENDATIONS.
  3. MEMBER 2# 1/4" X 1/4" ANCHORS @ 24" O.C. ON ALL SPANSEL BEAMS AND 18" O.C. ON ALL COLUMNS.

FOOTING SCHEDULE		
MARK	SIZE	REIN. (CEA. WVD)
F 4.0	4'-0" X 4'-0" X 1'-0"	4-#5
F 5.0	5'-0" X 5'-0" X 1'-0"	5-#5
F 5.5	5'-6" X 5'-6" X 1'-0"	6-#5
F 6.0	6'-0" X 6'-0" X 1'-0"	7-#5
F 6.5	6'-6" X 6'-6" X 1'-2"	8-#5
F 7.5	7'-6" X 7'-6" X 1'-4"	9-#5

PIER SCHEDULE		
MARK	SIZE	REIN. (VERT.)
P-1	24" X 28"	4-#5
P-2	18" X 30"	8-#5
P-3	24" X 30"	12-#5
P-4	18" X 18"	4-#5

REV.	DESCRIPTION	DATE
4	PER T.O.H. BUILDING DEPT	9-27-09
3	GENERAL ISSUE	6-30-09
2	GENERAL	4-10-09
1	GENERAL	2-20-09

**FCG**  
**FRANK C. GESUALDO**  
 ARCHITECTS - PLANNERS  
 77 FLOWER HILL RD  
 HUNTINGTON, NY 11743  
 (831) 423-1100 FAX (831) 423-0889

**THOMAS D. REILLY**  
 STRUCTURAL ENGINEER  
 4 BEZEL LANE  
 SMITHTOWN, NY 11787  
 (831) 724-7888 FAX (831) 724-5740

THESE PLANS ARE AN INSTRUMENT OF SERVICE AND ARE THE PROPERTY OF THE ARCHITECT. INFRINGEMENTS WILL BE PROSECUTED.

CONTRACTOR SHALL VERIFY ALL FIELD CONDITIONS AND DIMENSIONS AND BE RESPONSIBLE FOR FIELD FIT AND QUALITY OF WORK. NO ALLOWANCES SHALL BE MADE IN BEHALF OF THE CONTRACTOR FOR ANY ERROR OR NEGLIGENCE ON HIS PART.

PROJECT  
**LONG ISLAND ALLIANCE CHURCH**  
 377 DEER PARK AVE.  
 DIX HILLS, NY

DRAWING  
**FOUNDATION AND FRAMING PLAN**

BY **FCG** DWG. NO.  
 SCALE **1/8" = 1'-0"**  
 DATE **2-3-09**  
 PROJ. NO. **07222**

S-1