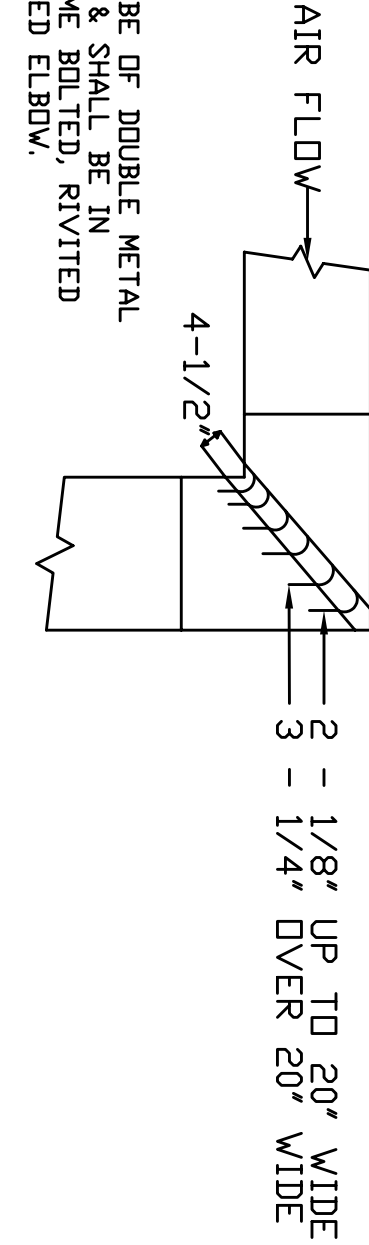
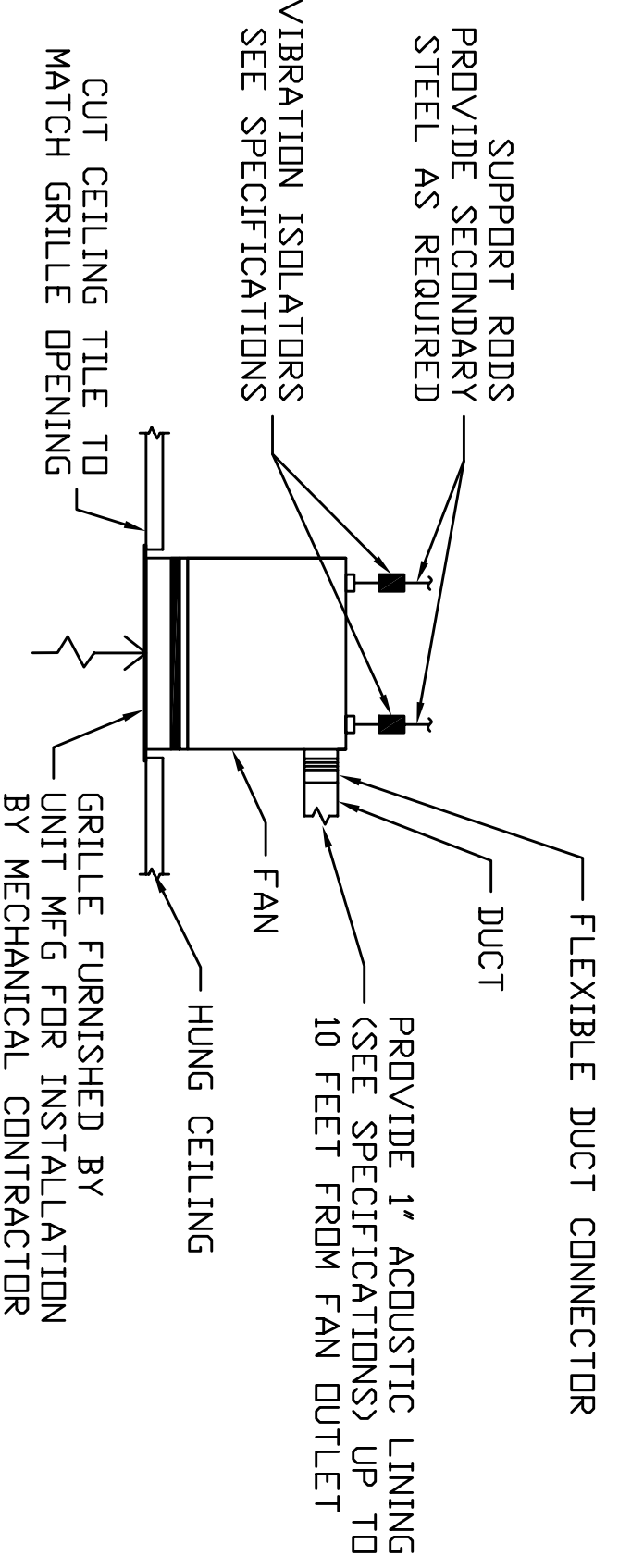


DUCT SIZE	RANGER SIZE	MAX. SPACING
UP TO 25 SQ. FT.	1' x 1/16"	8' - 0"
2 TO 8 SQ. FT.	1' x 1/16"	8' - 0"
OVER 85 SQ. FT.	1' x 1/8"	4' - 0"

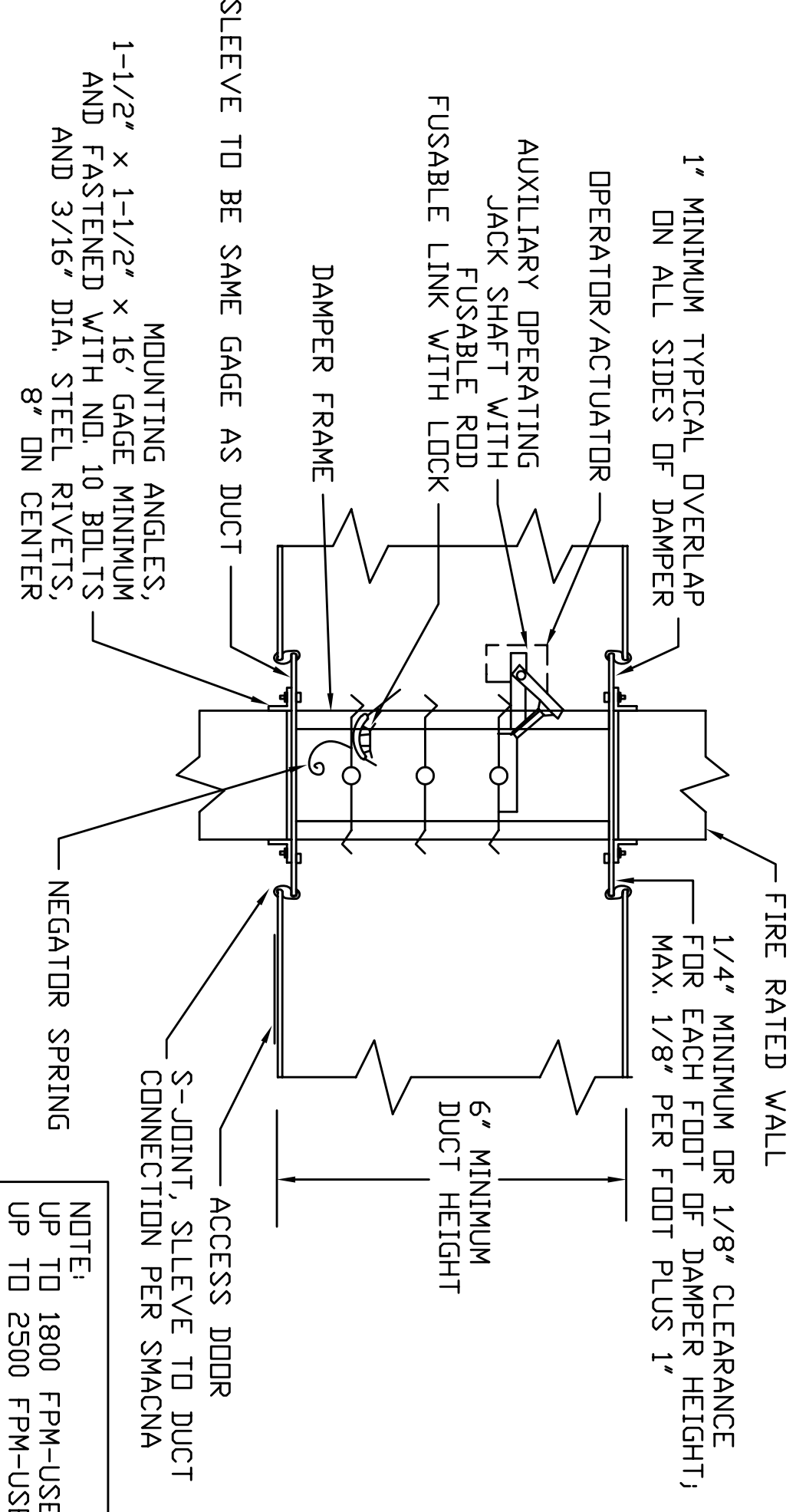
DUCT HANGING DETAIL AND SCHEDULE OF SUPPORTS



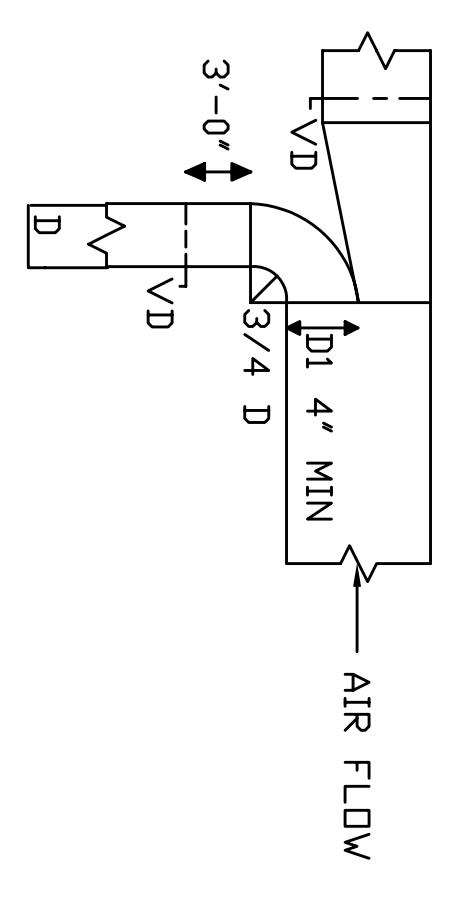
SQUARE ELBOW DETAIL



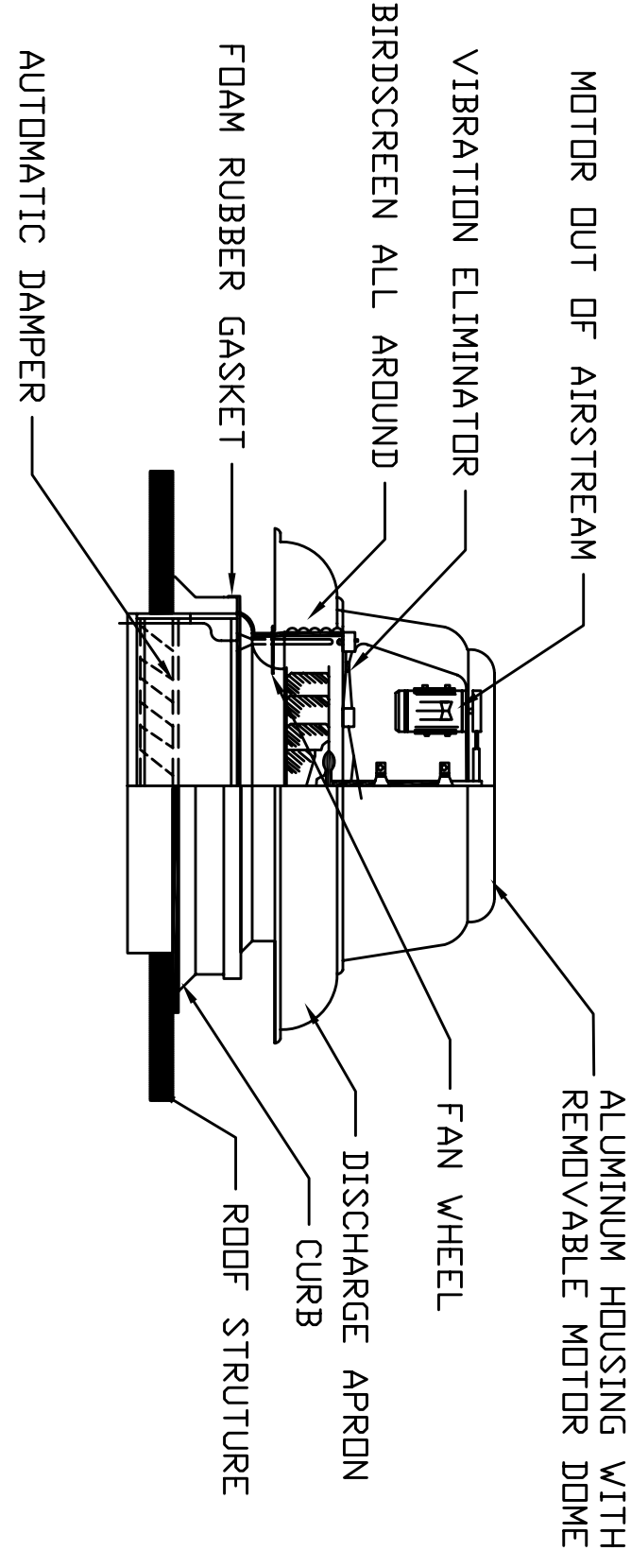
TYPICAL CEILING FAN DETAIL



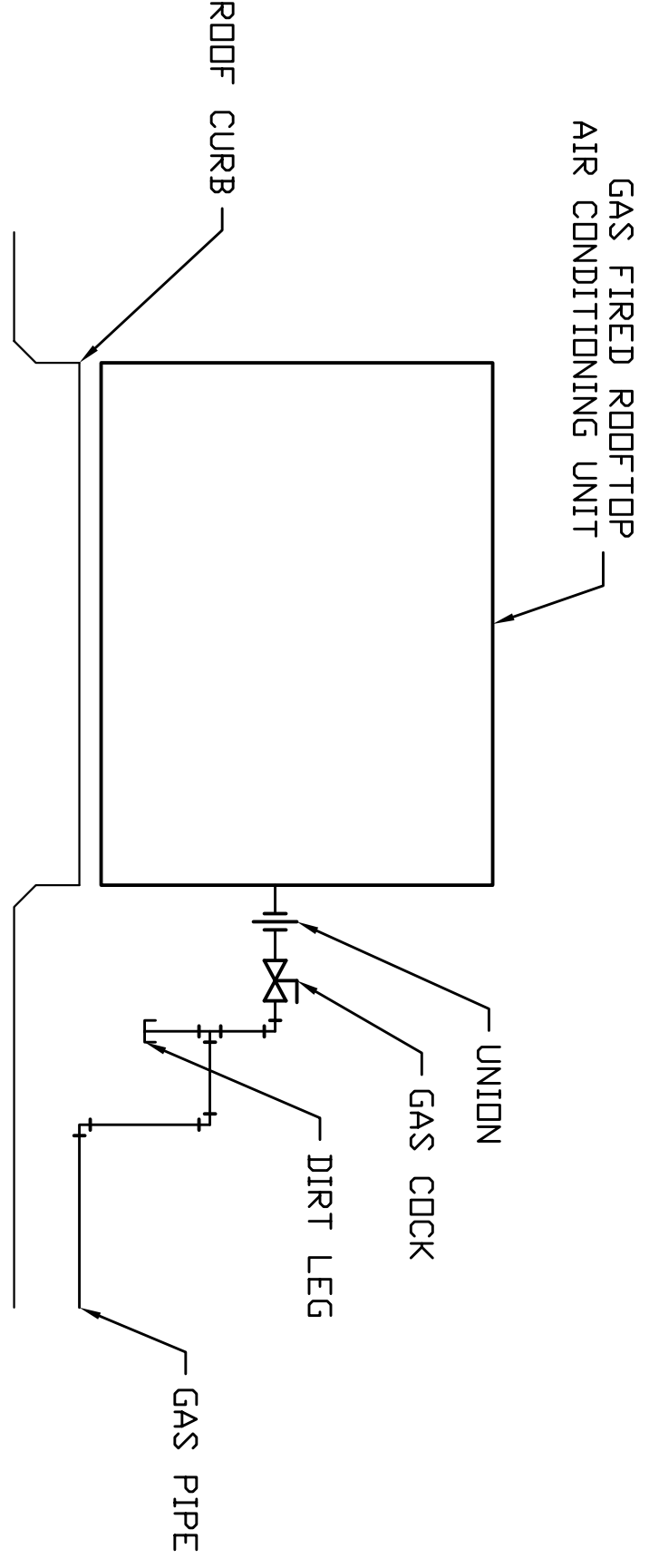
COMBINATION FIRE SMOKE DAMPER DETAIL



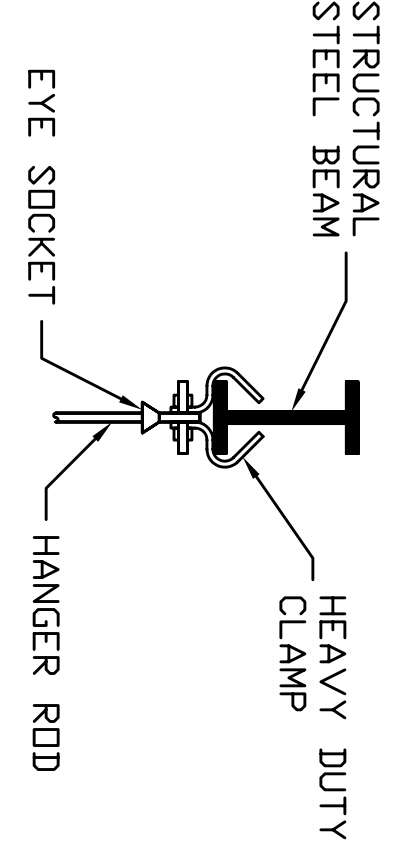
NESTED FITTING DETAIL



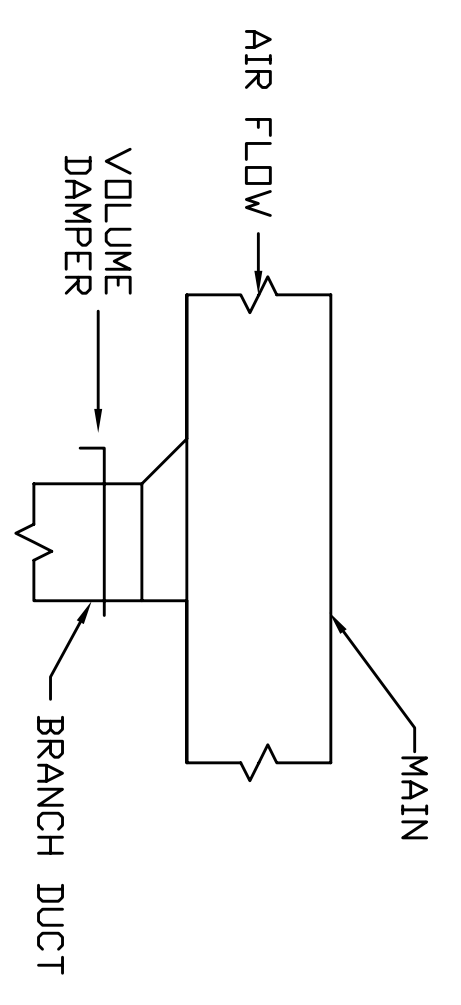
ROOF MOUNTED EXHAUST FAN



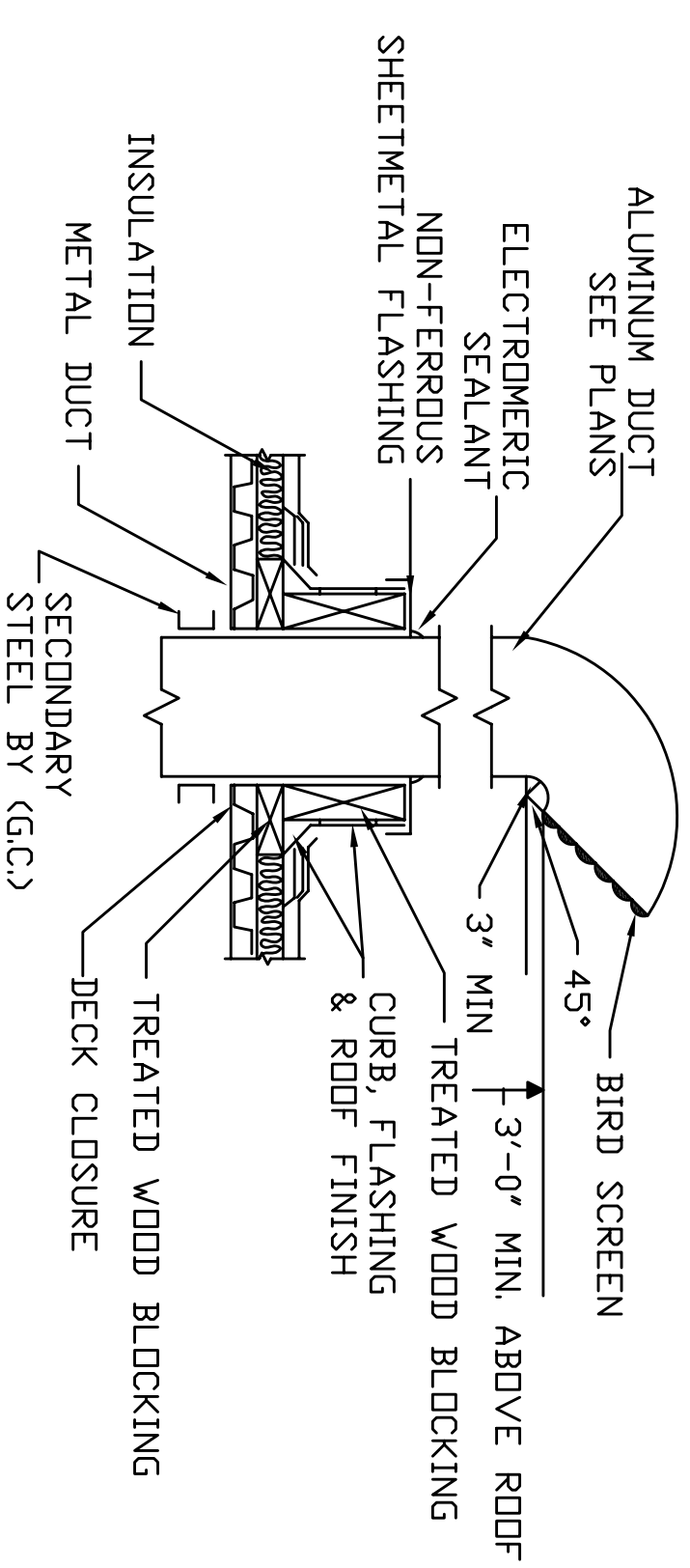
GAS FIRED ROOFTOP AIR CONDITIONING UNIT GAS PIPING DETAIL



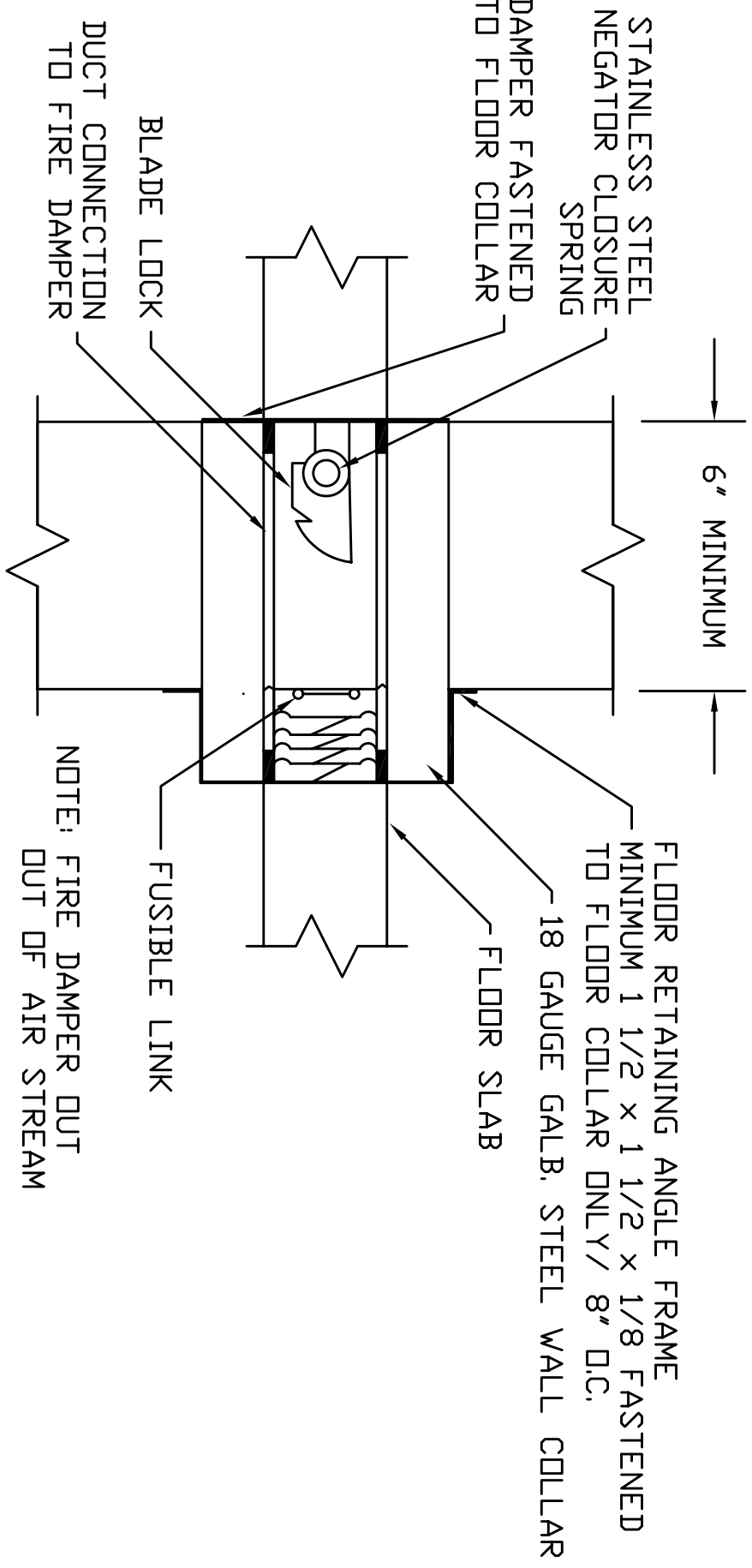
ATTACHMENT TO STEEL BEAM



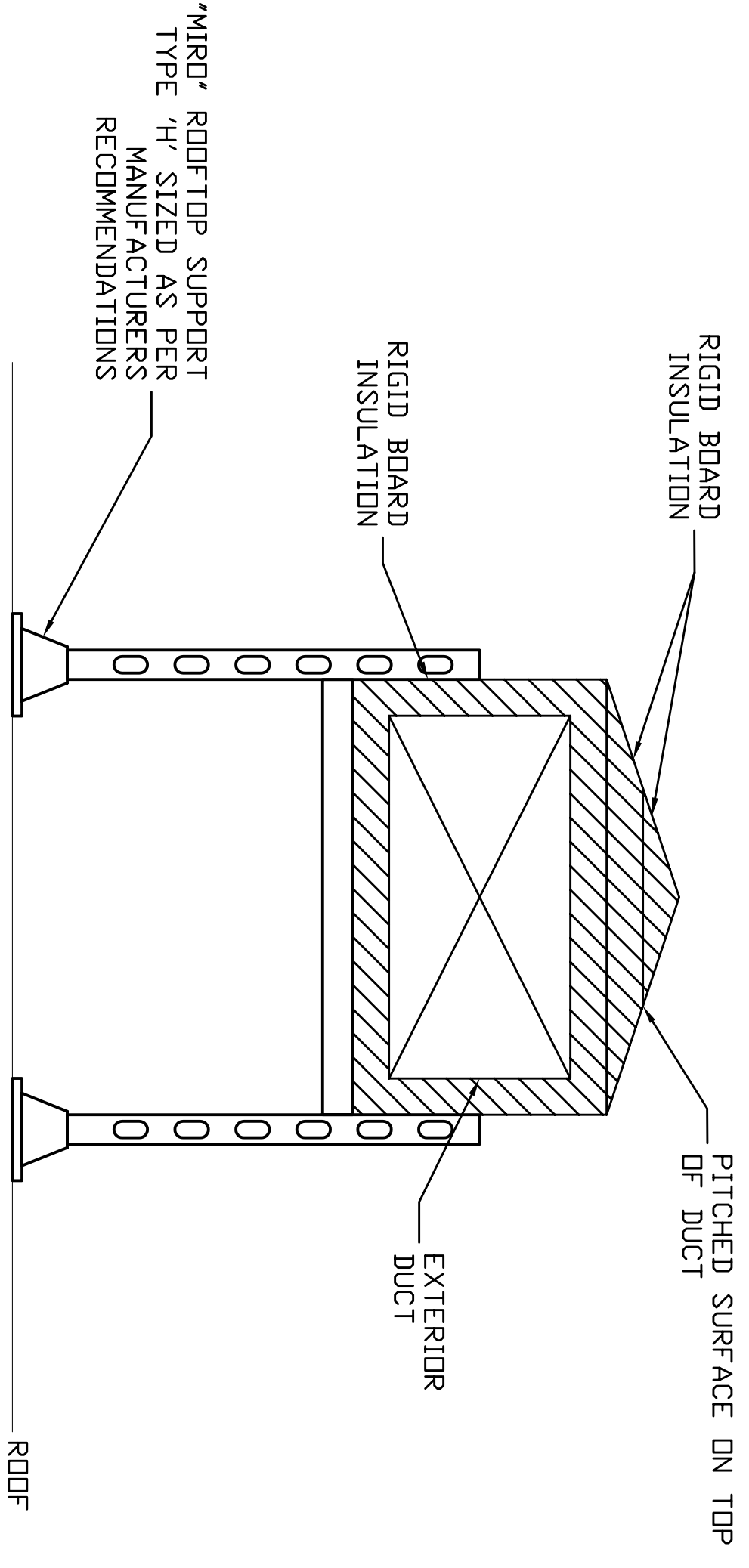
BRANCH VOLUME DAMPER DETAIL (TYPICAL FOR ALL BRANCH DUCTS)



DUCT PENETRATION THROUGH ROOF AND GOOSENECK DETAIL



HORIZONTAL FIRE DAMPER DETAIL



OUTDOOR DUCT INSULATION & SUPPORT DETAIL

JOB#: 9039 DATE: 1/16/07 SCALE: 1/4"	OCEAN MEDICAL PROPERTIES 3 NORTH MAIN STREET FREEPORT, NY 11520	<table border="1"> <tr> <th>REV #</th> <th>DATE</th> <th>NOTE</th> <th>BY</th> </tr> <tr> <td>4/08/10</td> <td></td> <td>GENERAL REVISIONS</td> <td>TET</td> </tr> </table>	REV #	DATE	NOTE	BY	4/08/10		GENERAL REVISIONS	TET	THE DRAWINGS, SPECIFICATIONS AND OTHER DOCUMENTS PREPARED BY THE ARCHITECT FOR THIS PROJECT ARE THE INSTRUMENTS OF THE ARCHITECT'S SERVICES FOR USE SOLELY WITH RESPECT TO THIS PROJECT AND, UNLESS OTHERWISE PROVIDED, THE ARCHITECT SHALL BE DEEMED THE AUTHOR OF THESE DOCUMENTS AND SHALL RETAIN ALL COMMON LAW, STATUTORY AND OTHER RESERVED RIGHTS INCLUDING COPYRIGHT. THE OWNER SHALL BE PERMITTED TO RETAIN COPIES OF THE ARCHITECT'S DRAWINGS, SPECIFICATIONS AND OTHER DOCUMENTS FOR THE PROJECT. THE ARCHITECT'S DRAWINGS SHALL NOT BE USED BY THE OWNER OR OTHERS ON OTHER PROJECTS, FOR ADDITIONS TO THIS PROJECT OR FOR COMPLETION OF THIS PROJECT BY OTHERS.	CONSULTANTS: Tengel Engineering Associates, P.C. Consulting Engineers 205 Middle Country Road, Suite 208 Greenvale, NY 11548 Phone: 631-750-2800 Fax: 631-750-2744		OCG ARCHITECTS, LLP ARCHITECTURE+INTERIORS 60 CARLETON AVE ISLIP TERRACE, NY 11752 TEL: 631-859-3488 FAX: 631-859-3489
REV #	DATE	NOTE	BY											
4/08/10		GENERAL REVISIONS	TET											
DRAWING NUMBER H-3	DRAWING: HVAC DETAILS	DRAWN BY: MAT	CHECKED BY: TET	NYS P.E. LIC # 66867										